

stûv

Gas Fires

tulp

Stûv Stories +Stûv tulp

Tulp: gas fires made by Stûv

stuv.com

Stûv Stories

Welcome to the world of Stûv! Our products are intended to be sources of warmth and conviviality. The story they tell is simple and warm, sober and effective. A story where the aesthetic becomes functional and objects blend into the architecture. Quality and purity are the watchwords for Stûv. To improve is to simplify, humanise the design, innovate unceasingly until pleasure and efficiency are in perfect harmony. Stûv, the essential fire

Stûv Stories +Stûv tulp

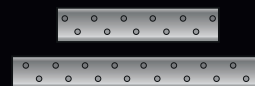
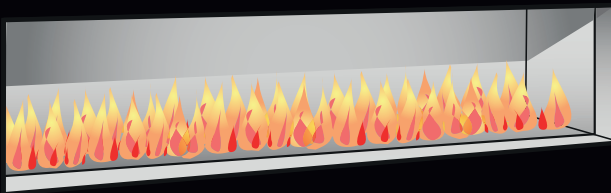
Fire: essential,
personal, unique





Model shown: Stûv B-50 + UC 50 frame

Double burner or 'wood burner'



Double burner

- + Double row of gas injectors: view of fire over the whole depth
- + Heat adjustable for optimum comfort and an extended heating season
- + "Wave" programme to shape the flame and reduce consumption by 10 to 45 %

'Wood-effect burner'

- + Double row of gas injectors: view of fire over the whole depth
- + Looks like a real wood fire
- + Heat adjustable for optimum comfort and a longer 'heating season'
- + "Wave" programme to shape the flame and reduce consumption by 10 to 45 %

Tulp Fires are fitted with a double burner or a "wood burner" with both burner types the flames are distributed through the whole depth of fire box giving a truly authentic appearance. The 'Wood effect burner' is arranged in such a way that the smaller flames of the front burner are complimented by the taller flames of the rear burner, this coupled with highly realistic ceramic logs provides an experience which is close to that of a real wood fire. Both burner types have the added advantage of using both burners together or only one which reduces by half the heat output and maintains optimum efficiency. Convenient for using your fire in all seasons!



Anti-reflective glass

Tulp fires are available as an option with Anti-reflective glass, as the name suggests most reflection is avoided and concentrates your attention on the fire.



Anti-reflective glass

For another example, see page 52

Glass

All fires photographed in this brochure are with standard glass with the exception of pages 27 & 52

Internal finish

- 1 Logs as standard
- 2 White stones (option)
- 3 Anthracite stones (option)



Back panel

- 1 Black steel as standard
- 2 Black glass (option)
- 3 "Piet Boon" iron strips (option)



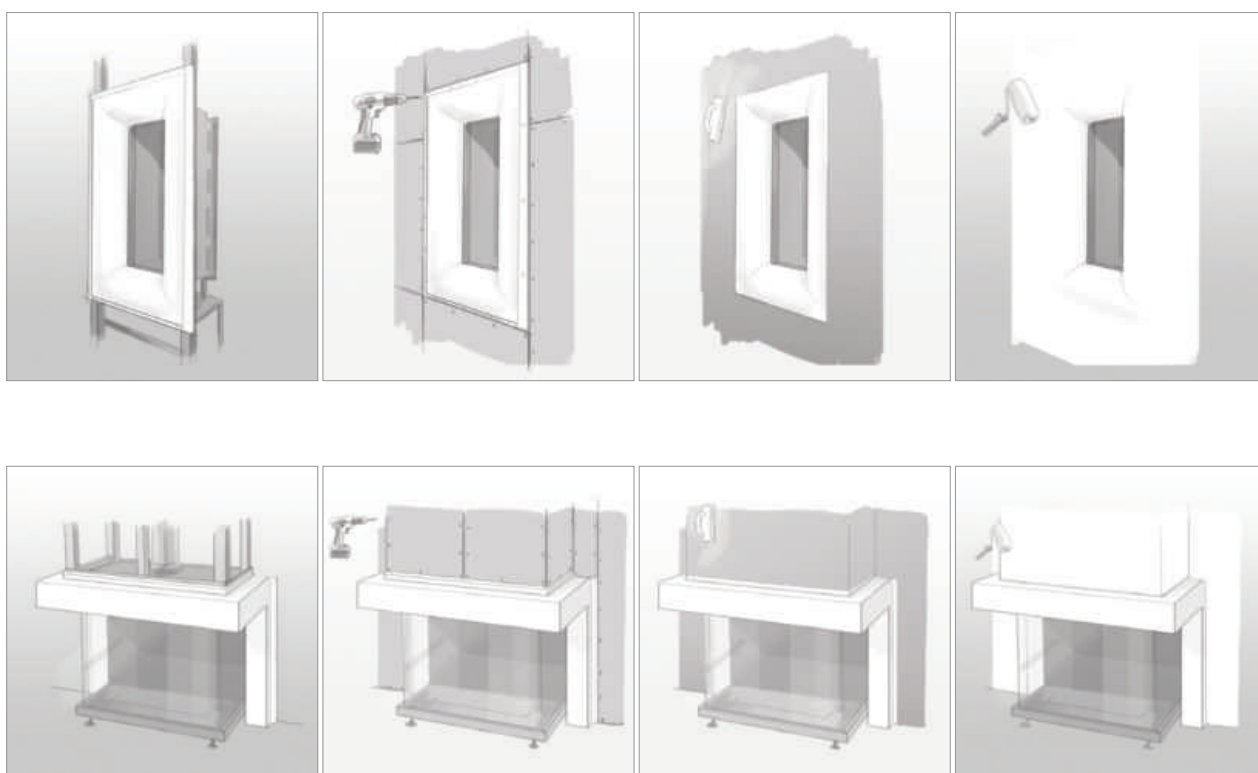
Stûv Stories +Stûv Under-Cover

- + Finishing frames providing fluid shapes
for perfect integration into the architecture
- + Withstands heat and does not crack
- + Easy to install



Model shown: Stûv B-100 double-aspect + UC frame

Under-Cover, shapes which blend into the architecture



What you see: Magnificent fires with curvaceous shapes which blend perfectly into the decor and architecture. What you don't see: Structures which are manufactured in a heat resistant ecological composite material. This allows for a seamless installation of your fire into the wall, these frames are light and easy to install and can be painted in your chosen colour.



Model shown: Stúv B-35 + standard finish

Stûv Stories +Stûv B-35

- + Double burner
- + Available in single or double aspect
- + Standard finish, steel frame or Uncer-Cover

Distinction as
manufacturing brand

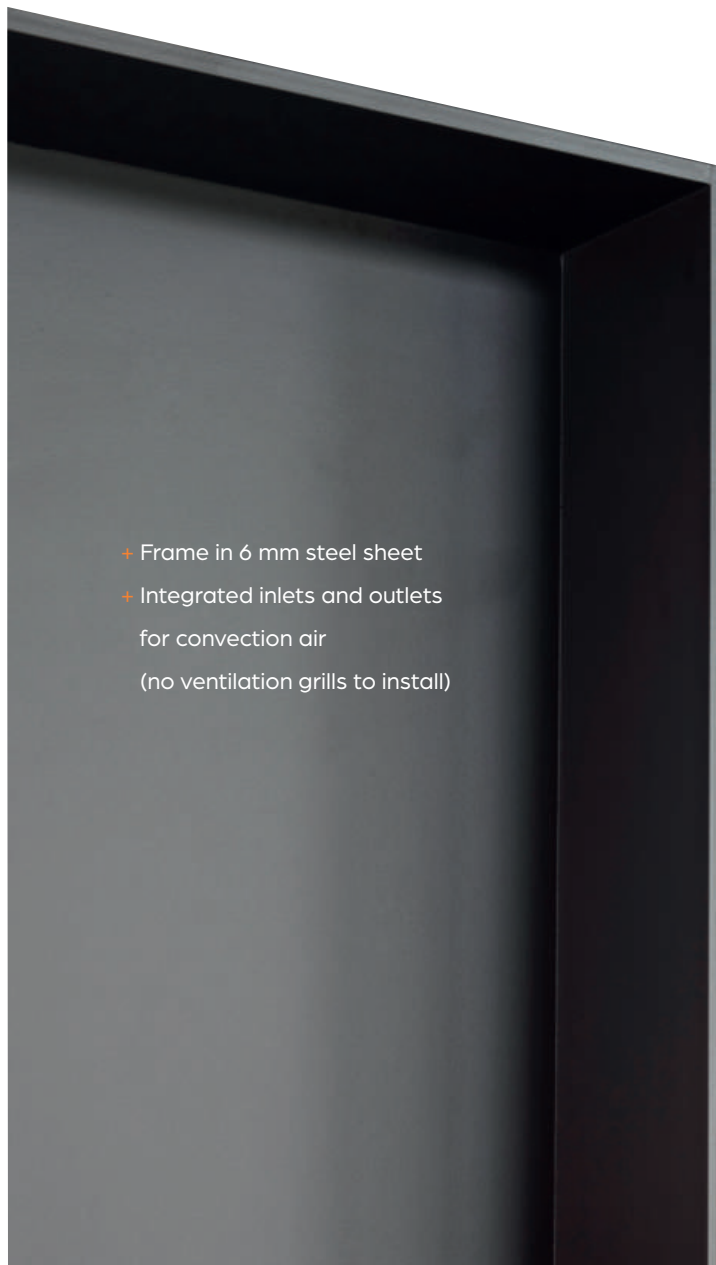


Model shown: Stûv B-35 + frame UC 35/100



Stûv Stories +Stûv B-35 + steel frame SC 35

Robust and sober



- + Frame in 6 mm steel sheet
- + Integrated inlets and outlets
for convection air
(no ventilation grills to install)

Stûv Stories +Stûv B-35 DF



Model shown: Stûv B-35 DF + frame UC PB



Stûv Stories +Stûv B-50

- + Double burner
- + Available in single or double aspect
- + Standard finish or steel frame with blue stone



The design of Tulp frames is based on timeless simplicity. A mixture of steel and flame, giving a feeling of robustness in each interior.

Model shown: Stûv B-50 + standard finish

Stûv Stories +Stûv B-50 + steel frame SC 50

- + Frame in 6 mm steel
- + Integrated inlets and outlets for convection air
(no ventilation grills to install)
- + Base in blue stone



Model shown: Stûv B-50 + steel frame SC 50

Stûv Stories +Stûv B-50 round

- + Double burner
- + Available single sided or as a double face / tunnel
- + Must use Under-Cover to achieve the perfect finish





Model shown: Stöv B-50 + frame UC

Stûv Stories +Stûv B-60

+ 'Wood-effect burner'

+ Standard finish or Piet Boon frame

Believe in
timeless quality
of the design



Zaterdag
→ Fri

* vitell
Chappert



Saltin
* zeeb

tiramisu
→ met am
kaasjes &
port wit
in vijgen

Stûv Stories +Stûv B-60







Model shown: Stûv B-60 PB + removable frontal strips

Stûv Stories +Stûv B-60 PB

- + 'Wood-effect burner'
- + Rear panel in iron strips
- + Removable frontal strips (option)
- + Design: Piet Boon



Model shown: Stûv B-60 PB + anti-reflective glass

Stûv shares your desire for beautiful things. This implies the use of fine materials, attention to detail and purity of form. The walls, frames and facades in iron strips of the Piet Boon versions reveals even better the personality of your interior, with no concessions in terms of performance or efficiency.

Stûv Stories +Stûv B-80

+ 'Wood-effect burner'



Model shown: Stûv B-80 + flue UC and Tulp blue stone



Stûv Stories +Stûv B-95

- + Double burner
- + Available in three-sided configuration, left or right corner
- + Standard finish or with blue stone



Model shown: Stûv B-95 three-sided with blue stone





Model shown: Stûv B-95 right corner

Stûv Stories +Stûv B-95



Model shown: Stûv B-95 three-sided

Stûv Stories +Stûv C-200

- + Double burner
- + Wall mounting solution
- + Colour coordinated flue pipe cover
- + All controls concealed within the framing







Stûv Stories +Stûv B-100

- + Double burner
- + Available in single- or double-sided / tunnel configuration
- + Standard finish, steel frame SC 100, frame Piet Boon Under-Cover or Roderick Vos, Piet Boon steel frame
- + Steel and Under-Cover options available for this fire, please see pages 58-59 for a complete list



Fire and steel,
a powerful story



Stûv Stories +Stûv B-100

Shapes that blend into the architecture



Model shown: Stûv B-100 + frame UC Roderick Vos

Stûv Stories +Stûv B-100 PB

- + Double burner
- + Back panel in iron strips
- + Available in single- or double-sided / tunnel configuration
- + Finishing frame projecting by 6 mm
- + Wide frame with iron strips (option)
- + Removable front strips (option)
- + Design: Piet Boon





Model shown: Stûb B-100 PB



Piet Boon™ and Stûv share the same taste for beautiful things. The idea of a partnership gained strength naturally and manifests itself with the use of materials of character, attention to detail and particular care over functionality

Stûv Stories +Stûv B-100 H

- + 'Wood-effect burner'
- + Available in single-sided, corner or three-sided versions
- + Standard finish or Under-Cover flue with stone base



Model shown: Stûv B-100 H





Stûv Stories +Stûv B-100 H



Model shown: Stûv B-100 H + Under-Cover frame and blue stone



Model shown: Stûv B-100 H + removable front strips

Stûv Stories +Stûv B-100 H PB



Model shown: Stûv B-100 H PB



Model shown: Stûv B-100 H PB wide + removable front strips

Stûv Stories +Stûv B-100 H 3 sided

The Stûv story is one of a passion for fire, of a lively discussion taking place while gazing at the flames. Memorable moments spent by a fire with pure lines, simply believing in timeless objects. The shape of Tulp gas fires combines the beauty of the flame with architectural integration. This is the result of a hidden technique which gives you the full benefit of the fire. The shapes blend into the architecture and prolong the presence of the fire. This is what we constantly strive to do, for the sole purpose of making your gas fires a central and eminently precious element in your interior.



Model shown: Stöv B-100 H three sided



Stûv Stories +Stûv B-100 H corner

- + 'Wood-effect burner'
- + Available for left or right corners
- + Standard finish or Under-Cover flue with blue stone



Model shown: Stûv B-100 H + L/R corner

Stûv Stories +Stûv B-120

+ Double burner

+ Available in single- or double-sided / tunnel configuration





Model shown: Stöv B-120

Stûv Stories +Stûv B-150

- + Double burner
- + Available in single- or double-sided / tunnel configuration
- + Standard finish or Under-Cover frame



Model shown: Stûv B-150 + frame UC.PB



Combustion & convection



+ Stûv gas fires are designed to be connected to a concentric stainless steel balanced flue system. The fires are room sealed and take the oxygen required for combustion through the outer wall of the flue system. The heat from the products of combustion being expelled by the centre pipe warms the incoming air in the outer pipe too.

+ Stûv gas fires are able to be ordered for LPG too, please specify this with your retailer at point of order. The flame visuals, output and efficiency are different when using LPG.



+ Stûv gas fires can be installed with an optional convection casing which can be used to capture and channel the convected heat.

Remote control



+ All Stûv gas fires are remote controlled as standard, the handset contains a thermostat as well providing access to the automatic programs and timer functions.



+ The fires can be fitted with a WIFI module to offer control functions from a smart phone or tablet (only on local home network).

Stûv tulp technical specifications

Technical specifications	Stûv B-35	Stûv B-50	Stûv B-60	Stûv B-60 PB	Stûv B-80
flue outlet \varnothing mm	100-150	100-150	100-150		100-150
power category*	2	2	2		2
nominal heat power kW	7,5	7,5	10,3		10,3
optimum output range kW	3,5 - 7,5	3,5-7,5	5,5 - 10,3		5,5 - 10,3
appliance weight kg	120	110	125		145
min. gas consumption m^3/h	0,5	0,5	0,6		0,6
max. gas consumption m^3/h	1,1	1,1	1,4		1,4
'wood-effect burner'			s		s
available in double-sided version	o	o			
available in three-sided version					
available in L/R corner version					o
Options and accessories	Stûv B-35	Stûv B-50	Stûv B-60	Stûv B-60 PB	Stûv B-80
+ convection casing	o	o	o	o	o
Back panel					
+ black steel	s	s	s		s
+ black glass	o	o (B-50 rectangle)	o		o
+ Piet Boon iron strips		o (B-50 rectangle)	o	s	o
Decorative fuel options					
+ set of logs	s	s	s	s	s
+ anthracite stones	o	o	o		o
+ white stones	o	o	o		o
Under-Cover frame					
+ UC 35-100	o				
+ UC 35 Piet Boon	o				
+ UC 50 round		o (B-50 round)			
+ UC 100 Piet Boon					
+ UC 100 Roderick Vos	o				
+ UC 100 H					
+ UC 150 Piet Boon					
Steel frame					
+ SC 35	o				
+ SC 50 stone		o (B-50 rectangle)			
+ SC 100					
+ Piet Boon wide frame					
Front grills					
+ Piet Boon strips				o	
+ anti-reflective glass	o	o	o	o	o

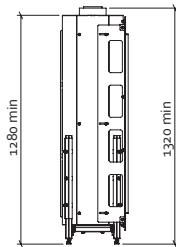
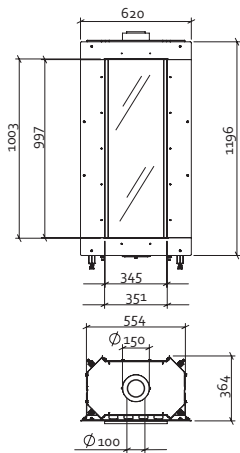
s: standard
o: option

Stûv B-95	Stûv C-200	Stûv B-100	Stûv B-100 PB	Stûv B-100 H	Stûv B-100 H PB	Stûv B-120	Stûv B-150
130-200	130-200	130-200		130-200		130-200	130-200
2	2	2		2		2	2
9	9	8,8		11,2		11,3	12,1
4,0 - 9,0	4,0 - 9,0	4,0 - 8,8		6,0 - 11,2		6,0 - 11,3	6,5 - 12,1
110	170	130		160 (140 3C)		140	160
0,6	0,6	0,6		0,7		0,7	0,8
1,3	1,3	1,3		1,5		1,6	1,8
				s			
		o				o	o
o	s			o			
o		o					
Stûv B-95	Stûv C-200	Stûv B-100	Stûv B-100 PB	Stûv B-100 H	Stûv B-100 H PB	Stûv B-120	Stûv B-150
o	o	o	o	o	o	o	o
s	s	s		s		s	s
o	o	o		o		o	o
		o	s	o	s	o	
s	s	s	s	s	s	s	s
o	o	o		o		o	o
o	o	o		o		o	o
		o					
		o					
				o			
							o
		o					
			o (110 x 45)		o (110 x 75)		
			o		o		
o	o	o	o	o	o	o	o

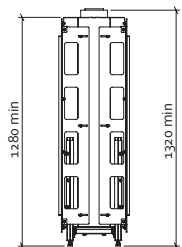
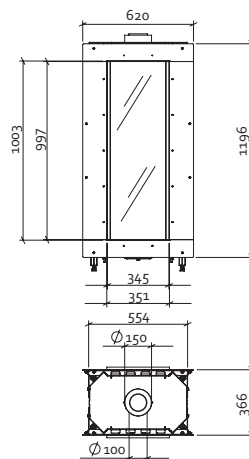
*Category 2: Between 65 and 80 %. Measured for type G20 gas.
Values differ by region and by type of gas.

Dimensions

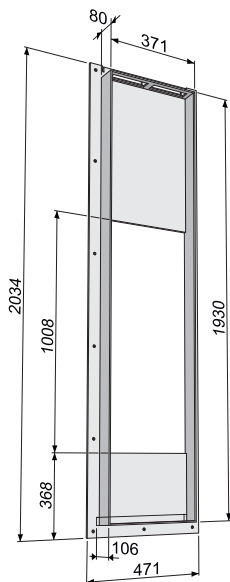
Fire Stův B-35



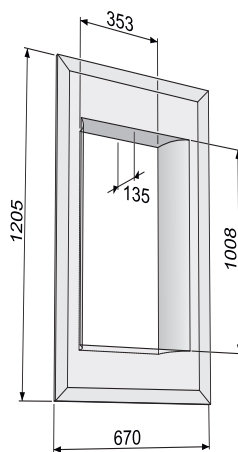
Fire Stův B-35 double-sided



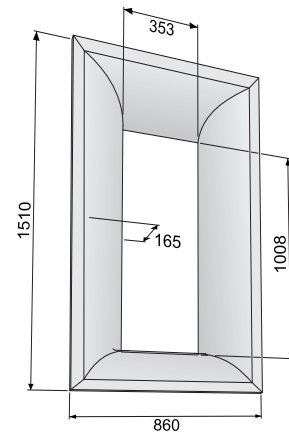
Frame steel SC 35



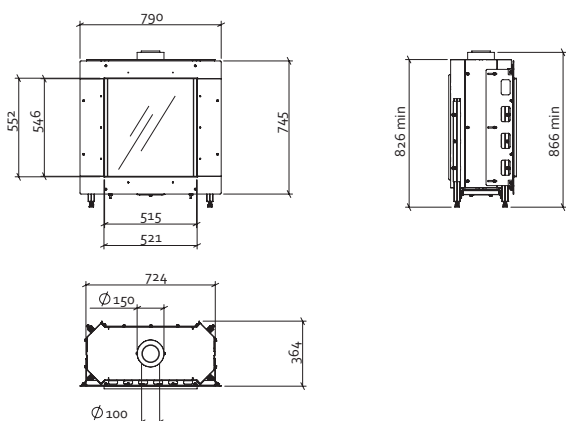
Frame Under-Cover UC 35 Piet Boon



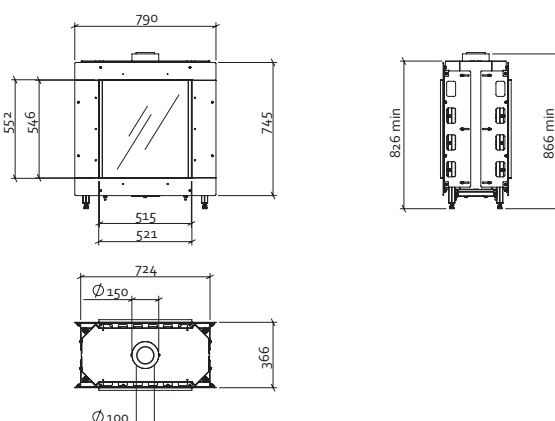
Frame Under-Cover UC 35/100



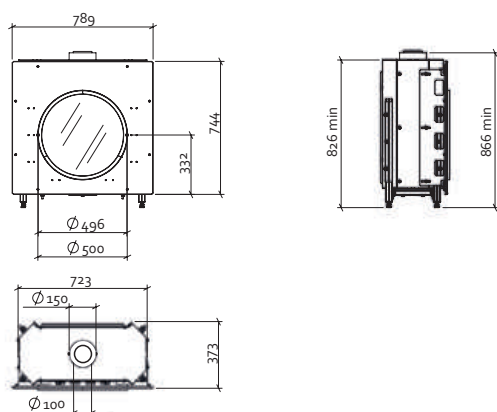
Fire Stův B-50



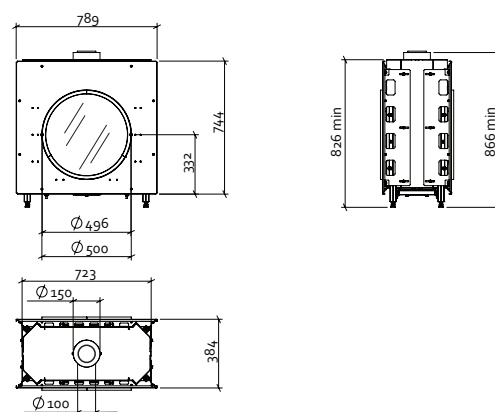
Fire Stův B-50 double-sided



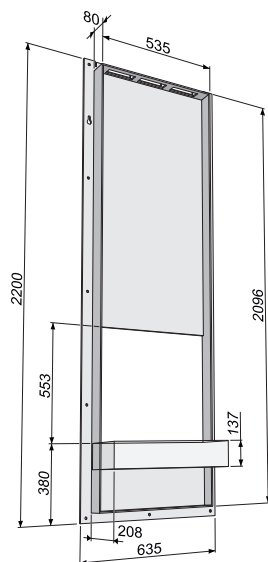
Fire Stův B-50 round



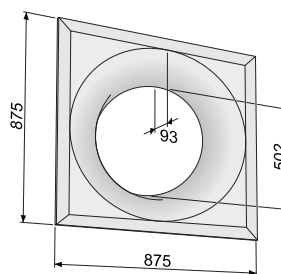
Fire Stův B-50 round-double-sided



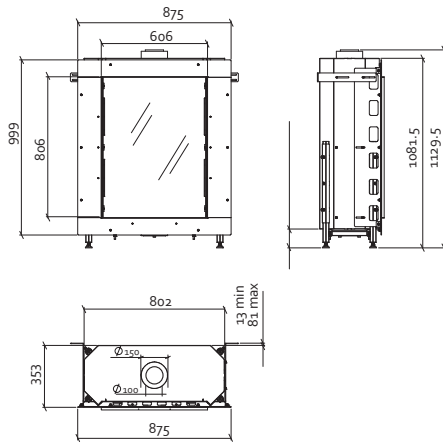
Frame steel SC 50 stone



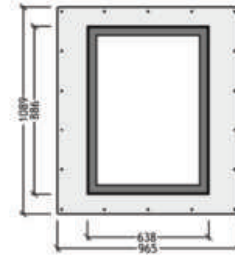
Frame Under-Cover UC 50 round



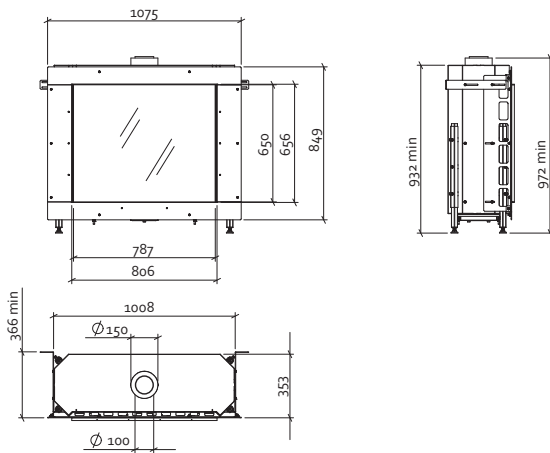
Fire Stův B-60



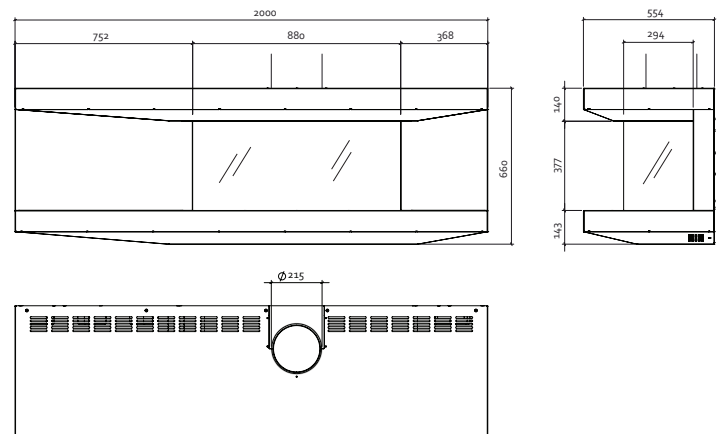
Piet Boon Frames Stův B-60



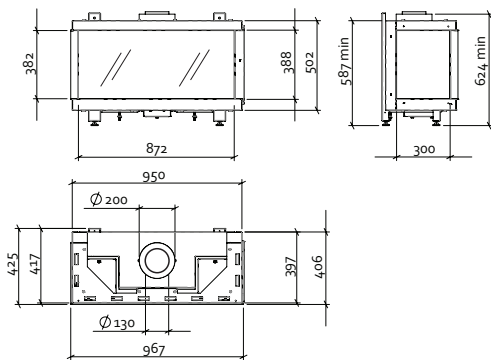
Fire Stův B-80



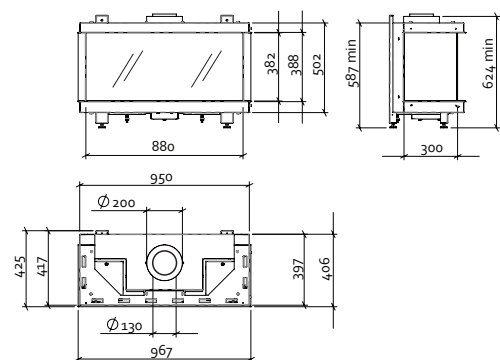
Fire Stův C-200



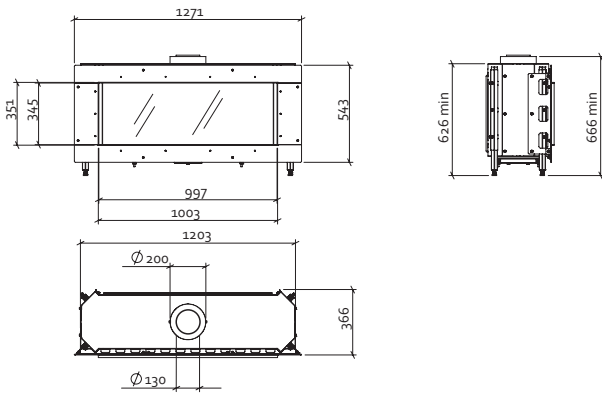
Fire Stův B-95 L/R corner



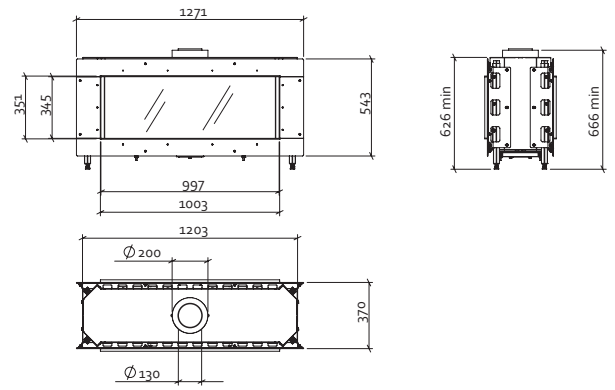
Fire Stův B-95 three-sided



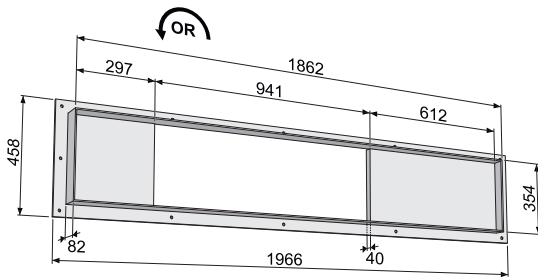
Fire Stûv B-100



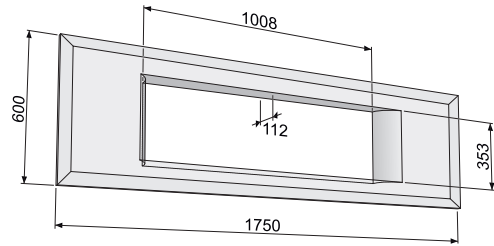
Fire Stûv B-100 double-sided



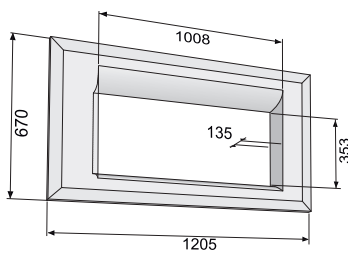
Frame steel SC 100



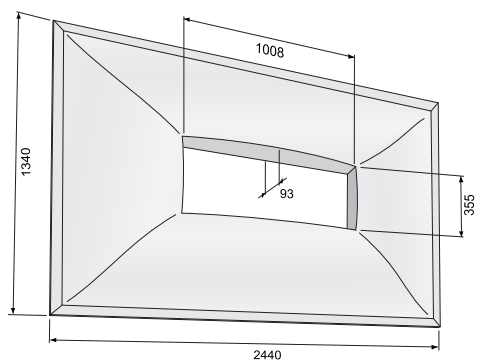
Frame Under-Cover UC 100 Piet Boon



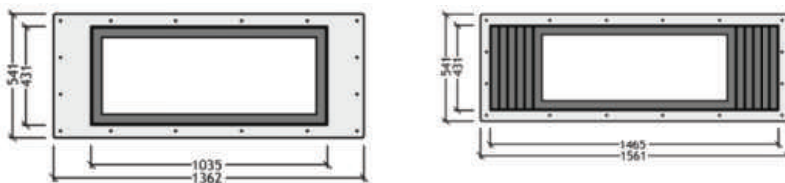
Frame Under-Cover UC 100



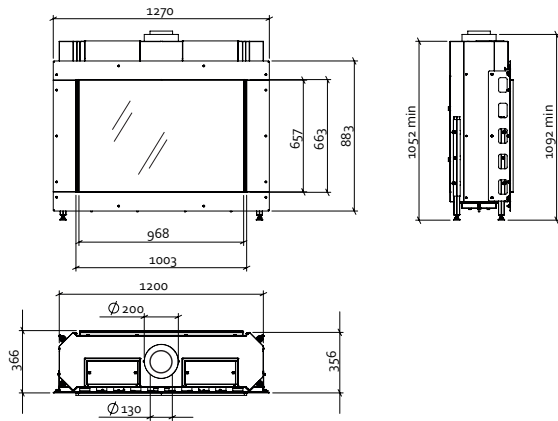
Frame Under-Cover UC 100 Roderick Vos



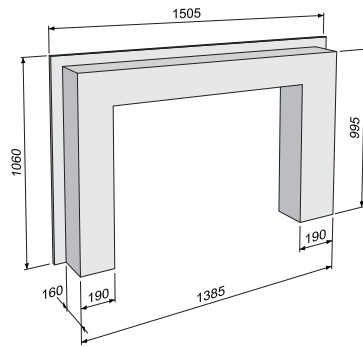
Piet Boon Frames Stûv B-100



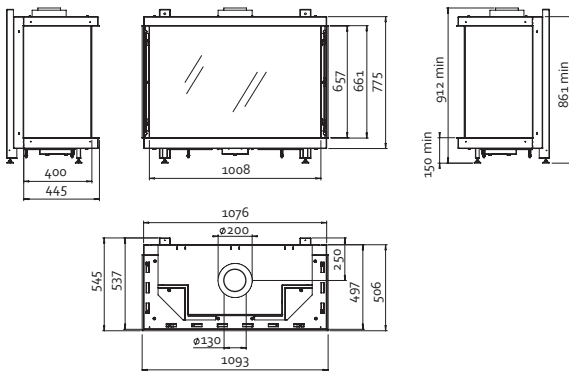
Fire Stûv B-100 H



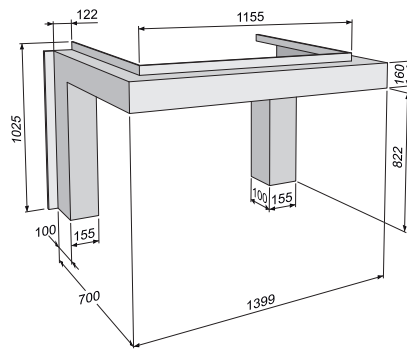
Fireplace Under-Cover UC 100 H



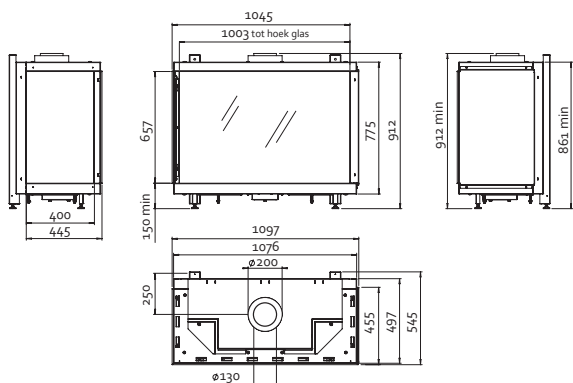
Fire Stûv B-100 H three-sided



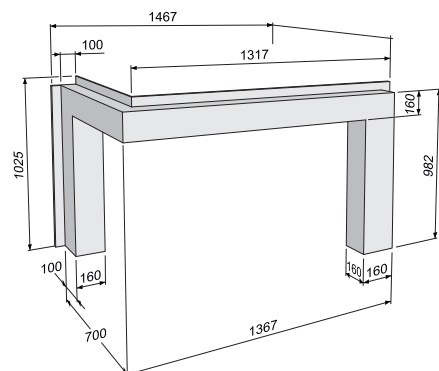
Fireplace Under-Cover UC 100 H three-sided



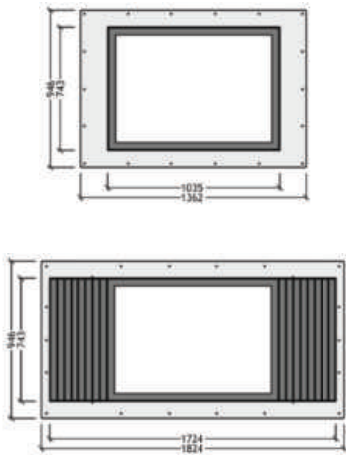
Fire Stûv B-100 HL/R corner



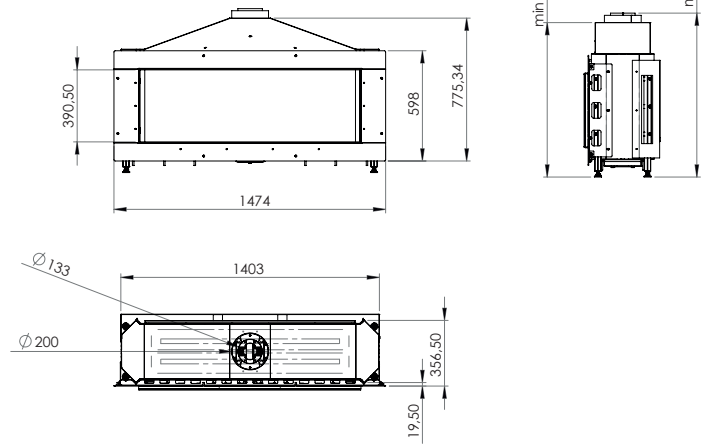
Fireplace Under-Cover UC 100 HL/R corner



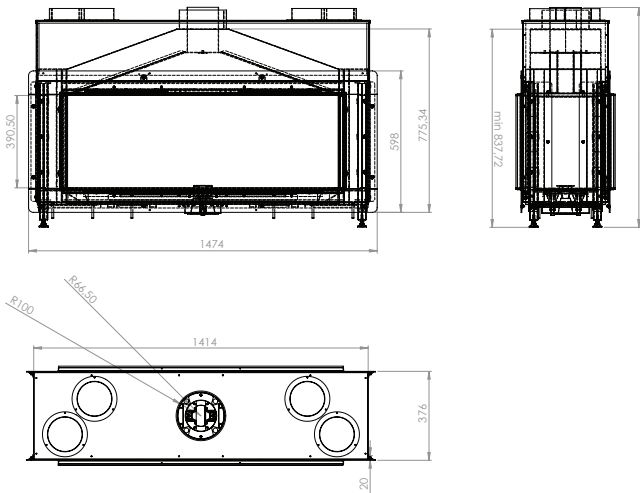
Piet Boon Frames Stův B-100-H



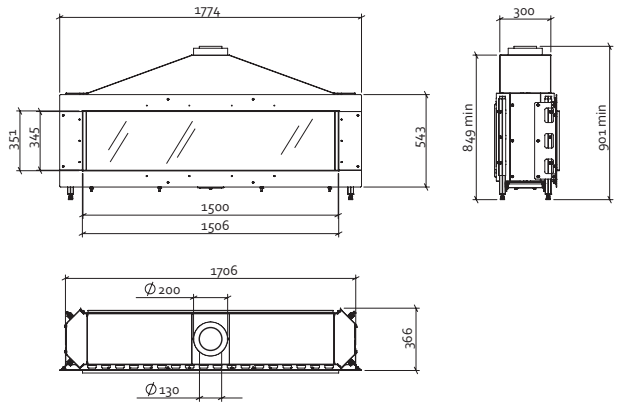
Fire Stův B-120



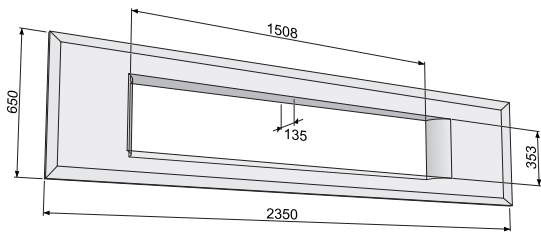
Fire Stův B-120 tunnel



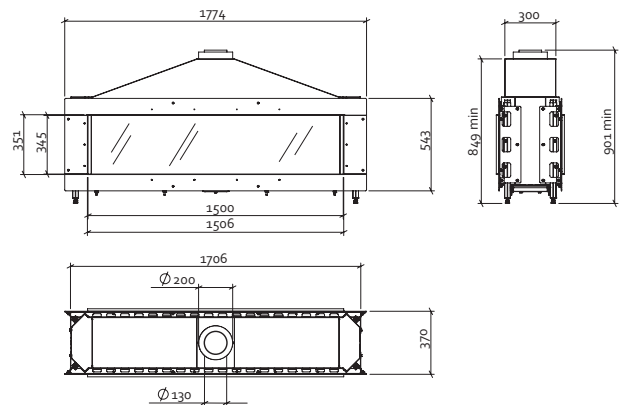
Fire Stův B-150



Frame Under-Cover UC 150 Piet Boon



Fire Stův B-150 double-sided



The constant search for improvement...

Stûv invests enormously in research and development in both its own laboratory and thanks to its partnerships with specialists in the field of combustion. Each detail is important in optimising the performance of the gas fire. Stûv devices meet the most stringent standards in terms of respect for the environment. We prioritise ergonomics and simplicity at all stages – installation, use, maintenance – so that every owner can use their Stûv in an optimal manner exactly how they want it. This is the reason we provide detailed installation instructions, we select our sales network and organise training sessions for our retail and installation partners.

The Stûv guarantee

- + Stûv gas fires are recognised for their design and performance. They are also robust, reliable and durable.
- + The gas fires and their components are made in Europe to the highest standards. A well-maintained Stûv fire is for life.

All the photos in this catalogue were taken with fires running on natural gas.

Colophon

design Brigitte Boits

photography François Chevalier (p 8, 16-17, 26-27, 52-53), Inga Powilleit, Rene van der Hulst

styling Edith Vervest

communication manager Serge Alhadeff

managing editor Gérard Pitance

Documents and photos are for information purposes only. Stûv reserves the right to make changes without notice. Every care has been taken in the preparation of this brochure; however, we do not accept any responsibility for any errors that it may contain.

Stûv Stories

+ Find out about all
the products in the
Stûv range

+ wood

Stûv 16 | Stûv 21 | Stûv 22 |

Stûv 30 | Stûv 30-compact |

Stûv microMega

+ gas

Stûv tulp

+ pellets

Stûv P-10

Stûv fires are distributed by :

Stuv UK

Unit 2 Peacock Trading Estate
Goodwood Rd
Eastleigh - Hampshire - SO50 4NT
T 02380 629 513
www.stuv.co.uk
sales@stuv.co.uk

Stûv fires are designed and
manufactured by: **Stûv nv**
rue Jules Borbouse 4
B - 5170 Bois - de - Villers
Belgium
info@stuv.com
stuv.com

join us



stûv

The essential fire